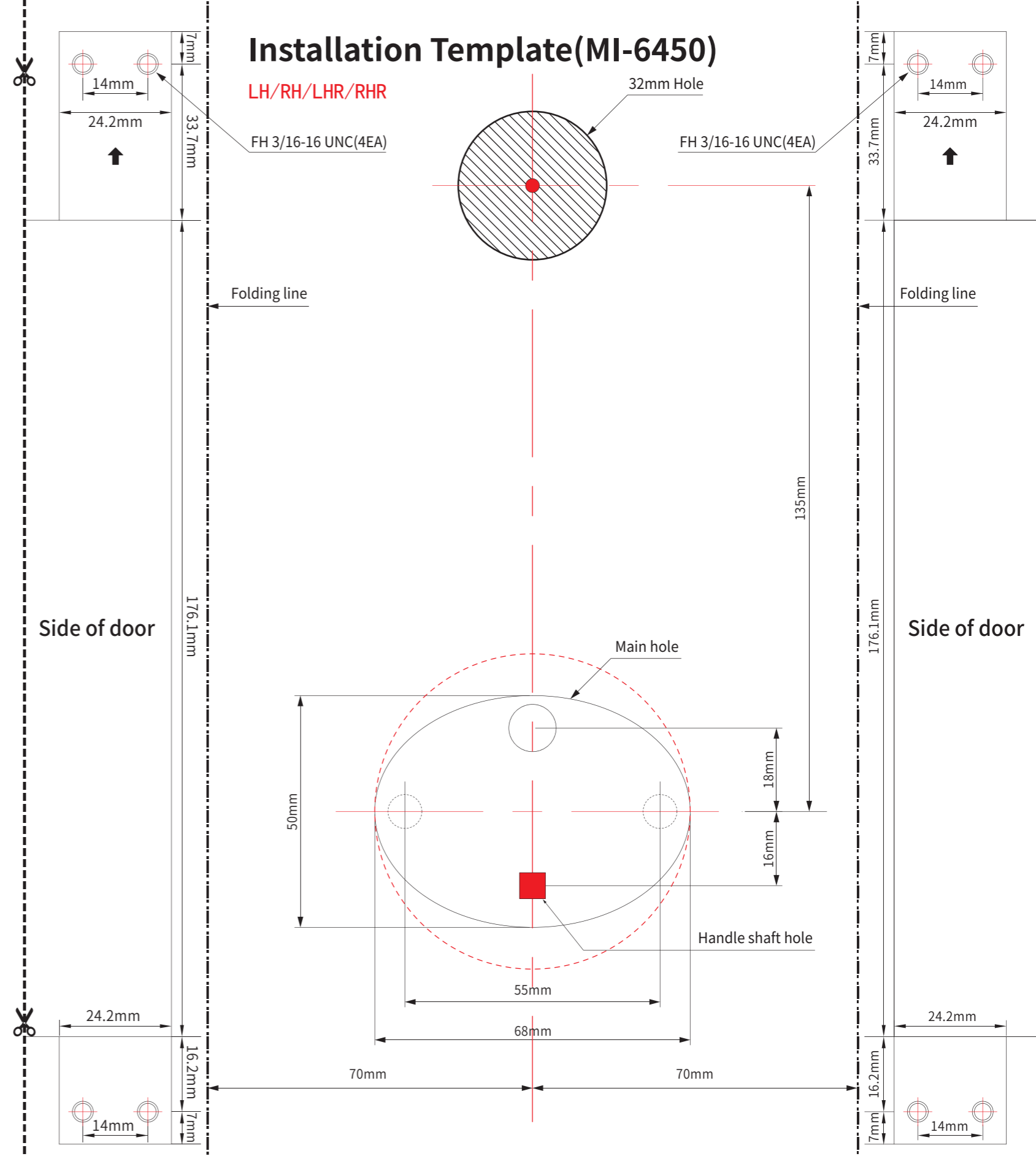
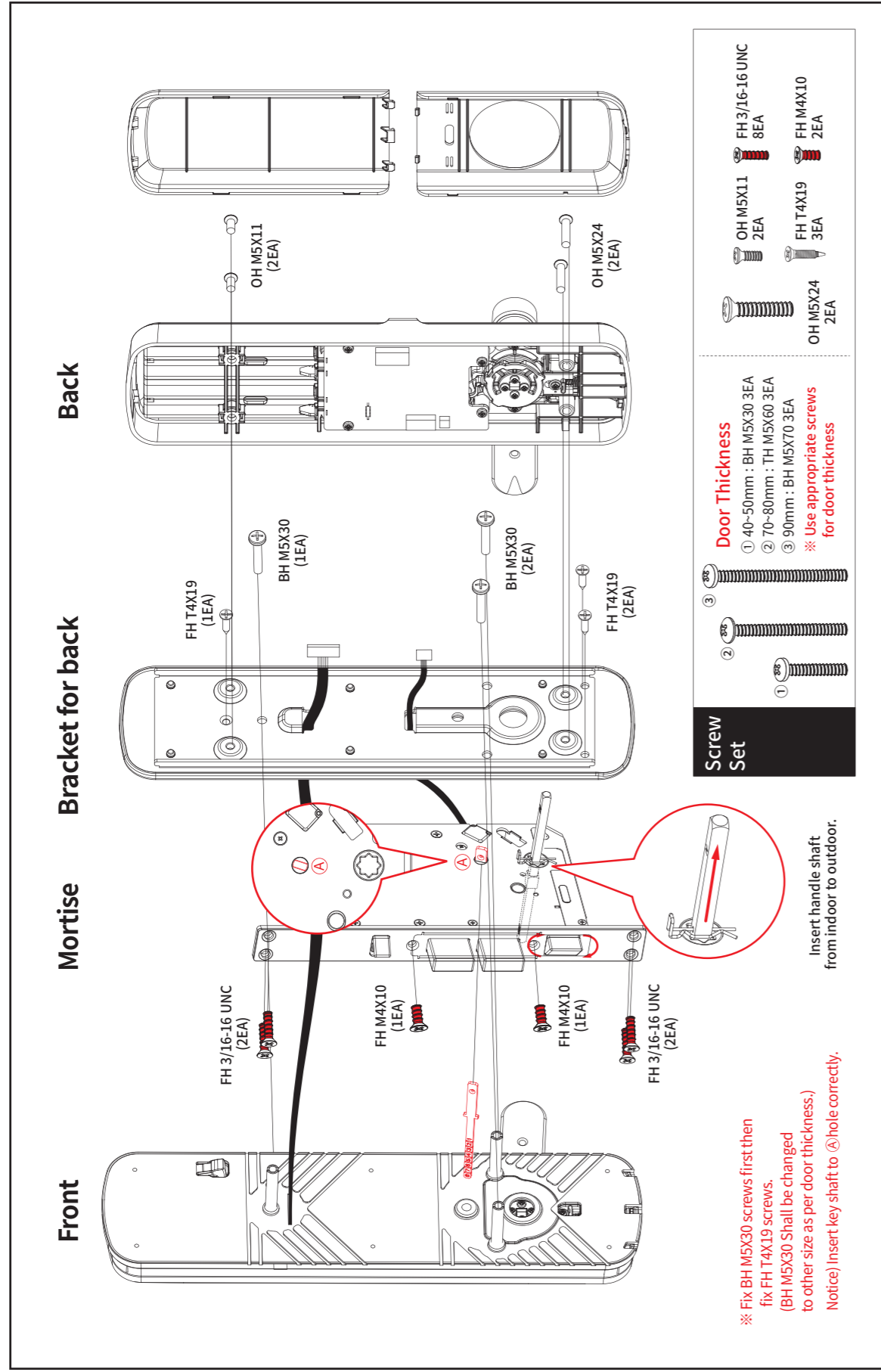


Installation Exploded View(MI-6450)

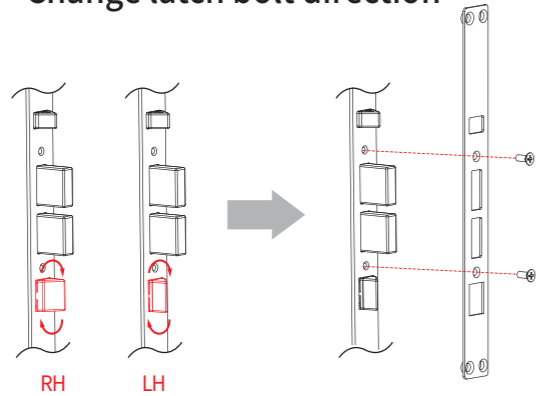


How to install - 1(Mortise Lock)

⚠ Notice

- ➔ Installation method for left handed door and right handed door is same.
- ➔ Before installation, adjust the direction of latch bolt and striker as per door opening direction.

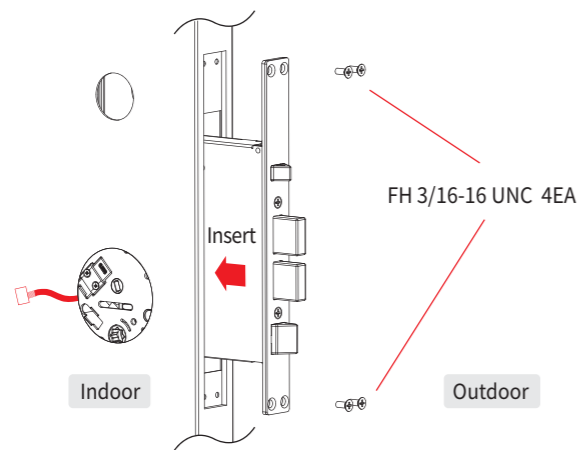
▪ Change latch bolt direction



1. Rotate latch bolt.
2. Confirm the direction of latch bolt and fix plate using FH M4X10, 2 EA.

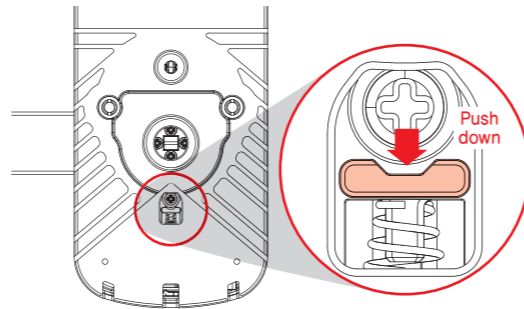
▪ Install mortise

1. Insert mortise to side of door and pull out cable to indoor.
2. Fix the plate using FH 3/16-16 UNC, 4EA.

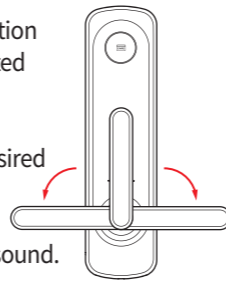


▪ How to reset the direction of handle

1. Push down the handle direction changing lever which is located inner side of each cabinet

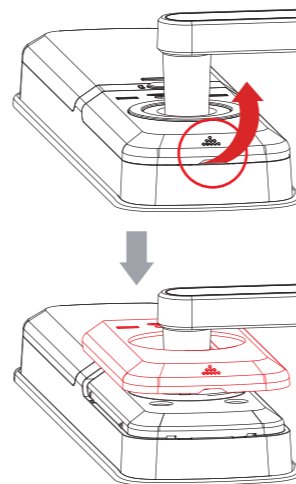


2. Push down the handle direction changing lever which is located After push down, the handle direction changing lever and rotating the handle in the desired direction from the handle turned back to the center, it will be fixed with a "click" sound.



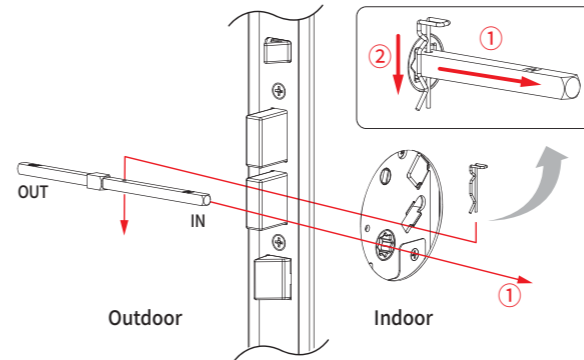
▪ How to open the deco cover (Indoor side)

1. Put the coin or finger in the hole and lift the deco cover.
2. Remove the deco cover along the handle.



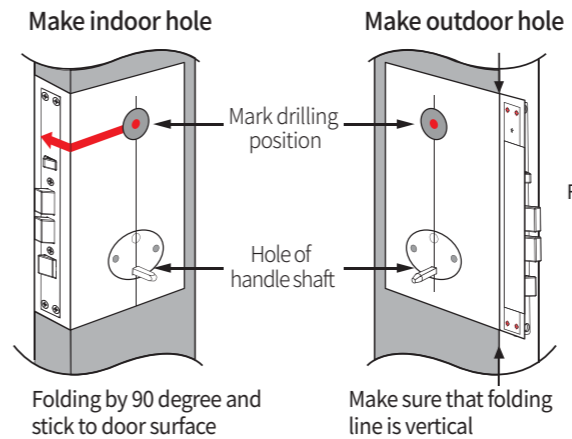
How to install - 2(Product)

1. Insert handle shaft from outdoor to indoor and fix stop ring to the hole on indoor side of handle shaft.



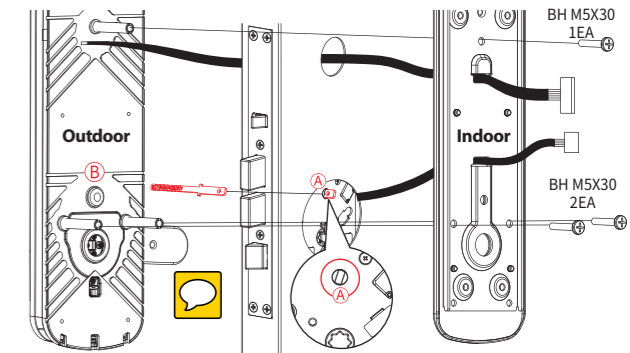
2. Insert handle shaft to rectangular "Handle shaft hole" of installation template and stick the template to indoor side. Fold the template along th folding line.

3. Fix the exact position of template and mark the drilling position for hole making. Change direction of template and mark the drilling position on opposite side in same way.



4. Make hole as per specification. (Ø32)
5. Set the direction of handle on front cabinet, pull down the handle to aimed direction until it is fixed with click sound. (Refer to instruction of "How to reset the direction of handle")
6. Put the cable of front cabinet through hole(Ø 32) to indoor. Pull out the cable from front cabinet and mortise lock cable through the hole of back cover.

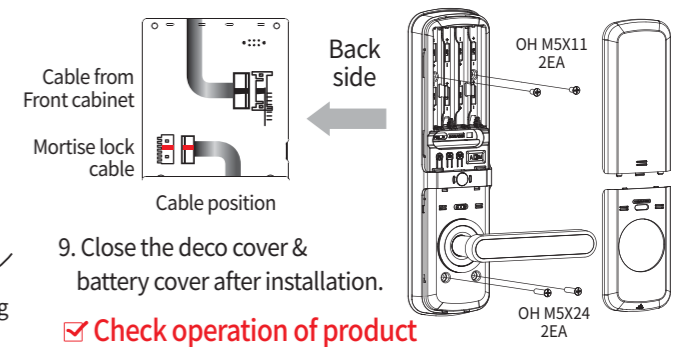
7. As per door thickness, cut the key shaft refer to the below table. Confirm the cabinet is not jammed and fix the front & back cabinet by screw.(BH M5X30, 3EA)



Door Thickness	Key shaft	Door Thickness	Key shaft
40 mm	1	90 mm	6
50 mm	2	100 mm	7
60 mm	3	110 mm	8
70 mm	4	120 mm	9
80 mm	5		

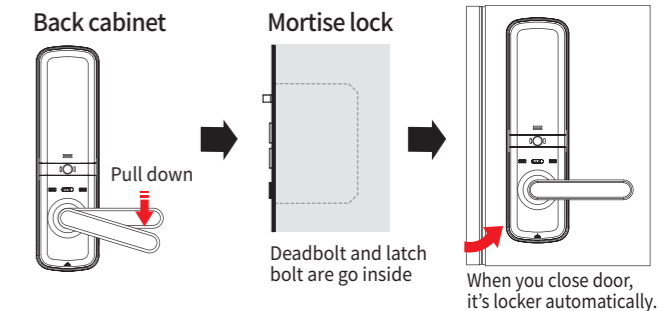
- Notice) 1. Insert key shaft to hole (A) correctly.
2. Please cut key shaft according to the thickness and condition of door. (If the key shaft touches the bottom of the (B) hole, a malfunction may occur.)

8. Connect two cable to back cabinet exactly. Open the deco cover of back cabinet and fix using screws. (Upper side OH M5X11, 2EA / Lower side OH M5X24, 2EA)
* Refer to instruction of "How to open the deco cover(Indoor side)".



9. Close the deco cover & battery cover after installation.

✓ Check operation of product



✓ Checking point after installation

- ➔ Insert batteries correctly and do open/close test at indoor.
- ➔ Register secret code a per user manual
Factory setting : Normal mode, secret code "123456"