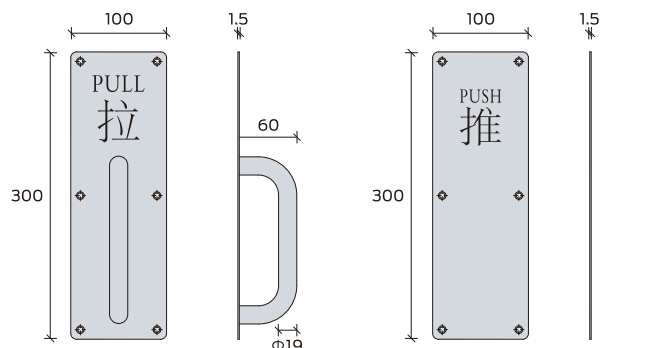


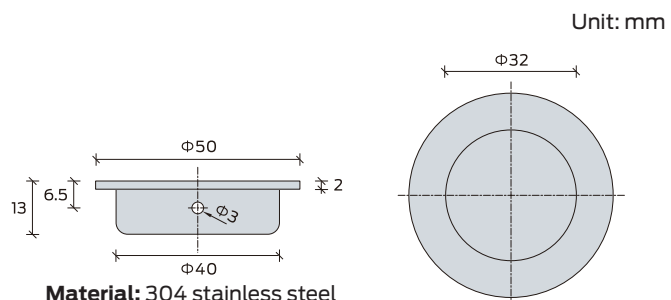
Push/Pull Plate



Optional Models	Surface
PP304-03-SS	PULL (EN)
PP304-04-SS	PUSH (EN)
PP304-05-SS	PULL (EN&CN)
PP304-06-SS	Blank (PULL)
PP304-07-SS	PUSH (EN&CN)
PP304-08-SS	Blank (PUSH)

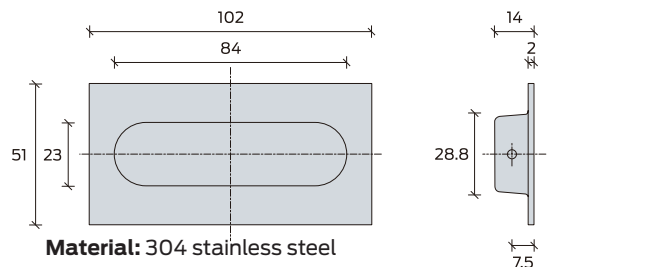
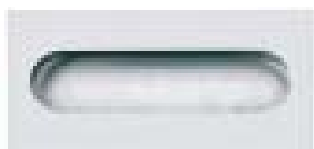
**Material:** 304 stainless steel  
**Finish:** satin stainless steel - SS, polished PVD brass -PPG,  
**Diameter:** 19mm  
**Baseplate Dimension:** 300\*100\*1.5mm

Hidden Handle HH01



**Material:** 304 stainless steel  
**Finish:** satin stainless steel - SS, polished stainless steel - PS, polished PVD brass -PPG, satin PVD brass - SPG, satin antique bronze - SABZ, satin antique copper - SAC, polished PVD rosy gold - PPRG  
**Dimension:** 50mm

Hidden Handle HH02



**Material:** 304 stainless steel  
**Finish:** satin stainless steel - SS, polished stainless steel - PS, polished PVD brass -PPG, satin PVD brass - SPG, satin antique bronze - SABZ, satin antique copper - SAC, polished PVD rosy gold - PPRG  
**Dimension:** 102mm