



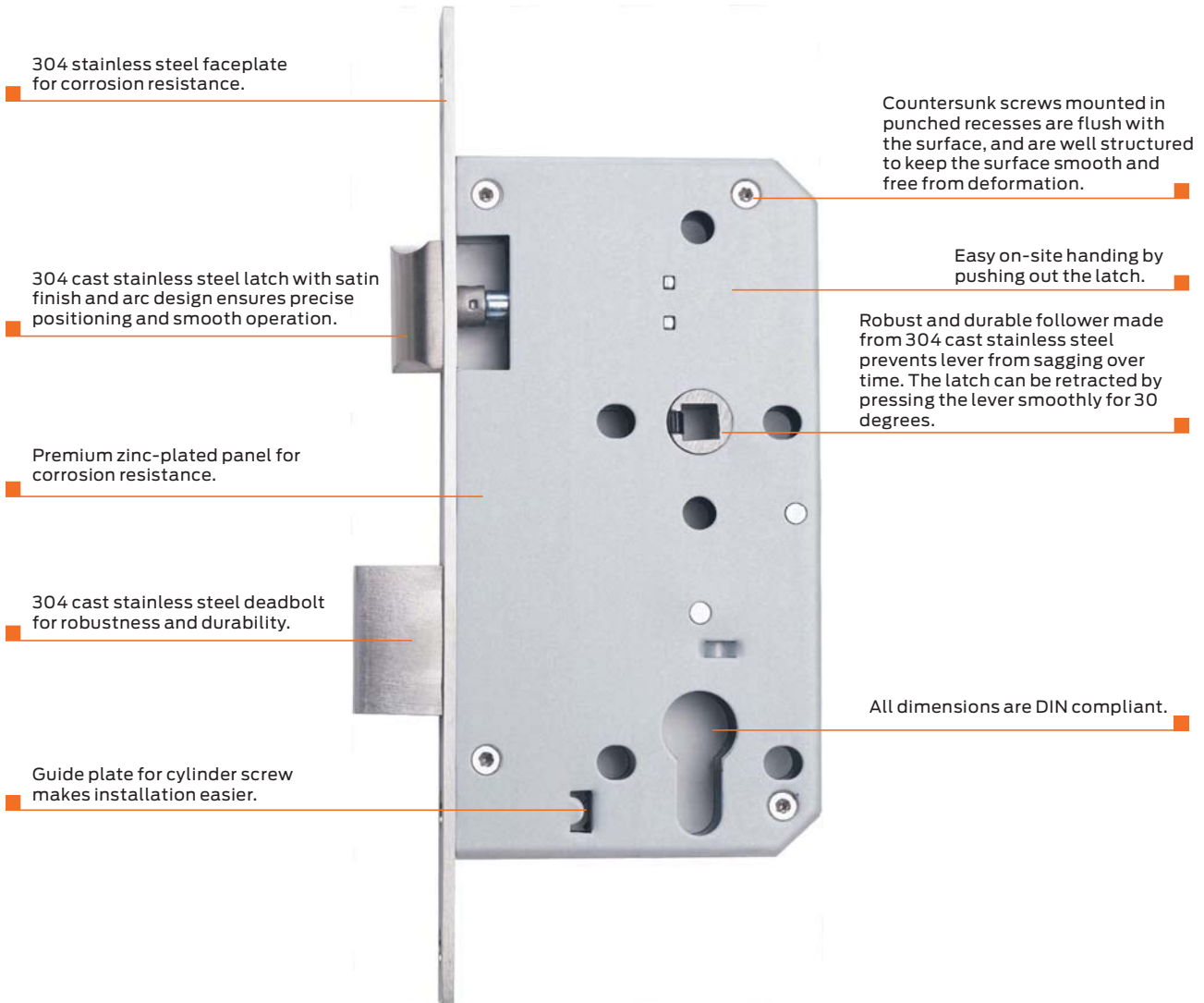
ALLEGION™

Briton

EL3000 Series

EN Certified Mortise Lockcases





EL3020 Sash Lockcase

Standards

Standards & Testing	Certified to EN12209
	Fire tested to China Certification Center for Fire Products (CCCF) standards
	Tested to China National Standard GB12955, "Fire resistant doorsets", for 90 minutes
	DIN18251-compliant lockcase dimensions
	Locks tested: Latchbolt durability - 200,000 cycles Deadbolt durability - 50,000 cycles
Corrosion resistance - 96h salt spray test	

Specifications

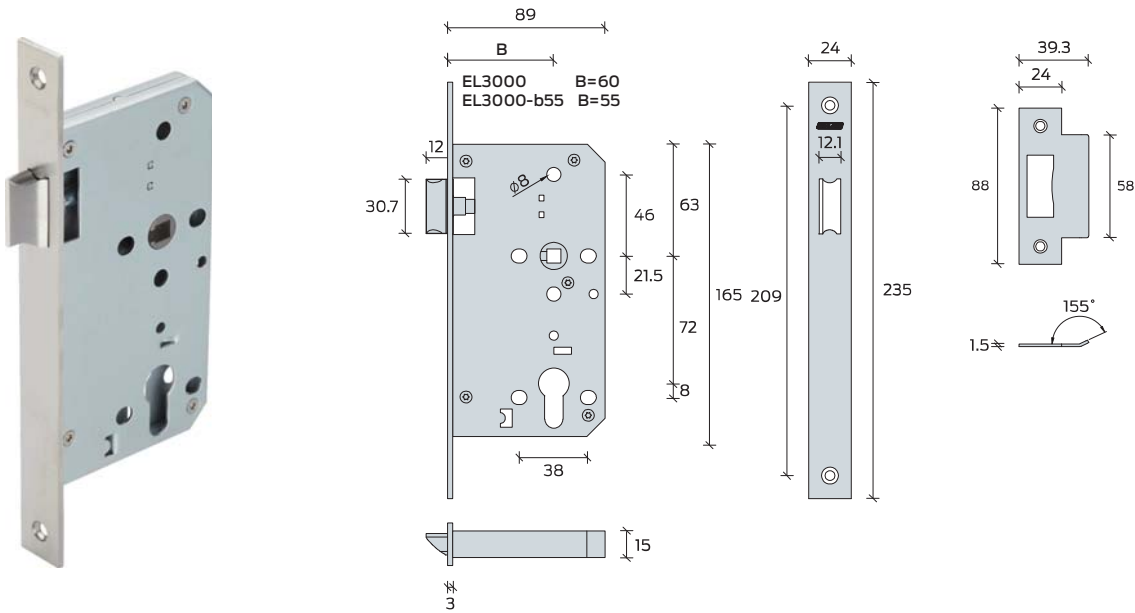
Functions	Dead lock, sash lock, bathroom lock, latch, night latch, ball lock
Dimensions	Case dimensions (LxWxD): 165mmx89mmx15mm
	Faceplate dimensions: 235mmx 20mm x3mm; 235mmx 24mm x3mm
	Backset: EL3000: 60mm ; EL3000-b55: 55mm
	Follower to cylinder centres: 72mm
	Dead throw: 12mm
	Latch throw: 20mm
Materials & Features	Door thickness: 40-50mm(standard) or 40-60mm(optional)
	Deadbolt: 304 cast stainless steel
	Latchbolt : 304 cast stainless steel
	Faceplate: 304 stainless steel (square and round optional)
Standard Fasteners	Strike plate: 304 stainless steel, with preformed lip, nonhanded
	Supplied 304 stainless steel machine screws and wood screws as standard

Finishes



Briton EL3000/EL3000-b55 Series

EN Certified Mortise Lockcases



EL3040/EL3040-b55 Latch

Latch bolt is retracted from both sides by lever handles at all times.

Order Specifications - Lockcase

EL3020	b55	S	SS	DT51	A24
<p>Functions</p> <p>EL3010: Dead lock EL3020: Sash lock EL3030: Bathroom lock EL3040: Latch EL3050: Night latch EL3060: Panic exit lock EL3070: classroom lock EL3080: Ball lock</p>	<p>Backset</p> <p>DFLT: 60mm b55: 55mm</p>	<p>Faceplate</p> <p>S: Square R: Round</p>	<p>Finishes</p> <p>SABS satin antique brass SABZ satin antique bronze SAC satin antique copper SPRG satin PVD rosy gold PPRG polished PVD rosy gold SS satin stainless steel PS polished stainless steel SPG satin PVD brass PPG polished PVD brass MBK matte black DOSB dark oxidized bronze MBPG matte PVD gold MBGY matte grey</p>	<p>Door Thickness</p> <p>DFLT: 40~50mm DT51: 51~60mm</p>	<p>Faceplate Width</p> <p>DFLT: 20mm, std. A24: 24mm, optional</p>