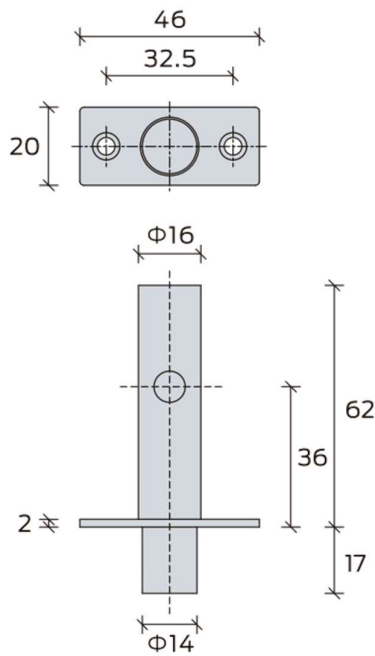




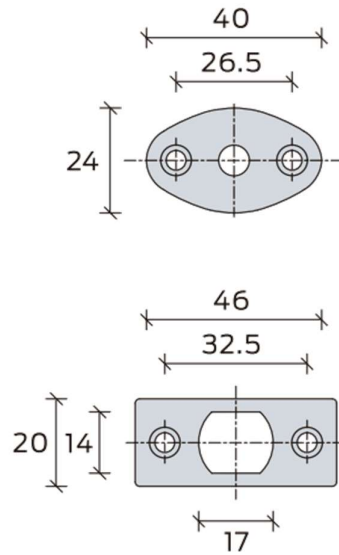
Pipe Well Lock GJL01

Material: zinc alloy

Finish: satin nickel plated



Unit: mm



Versatile Application

The Pipe Well Lock suits various door types and locations, including residential homes, offices, commercial buildings, and more. Whether you want to reinforce the security of your main entrance or secure internal doors, this lock offers reliable protection and peace of mind.