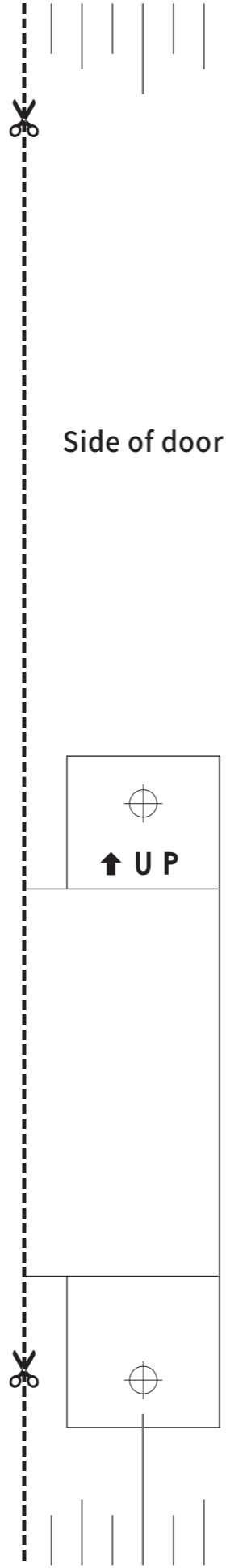
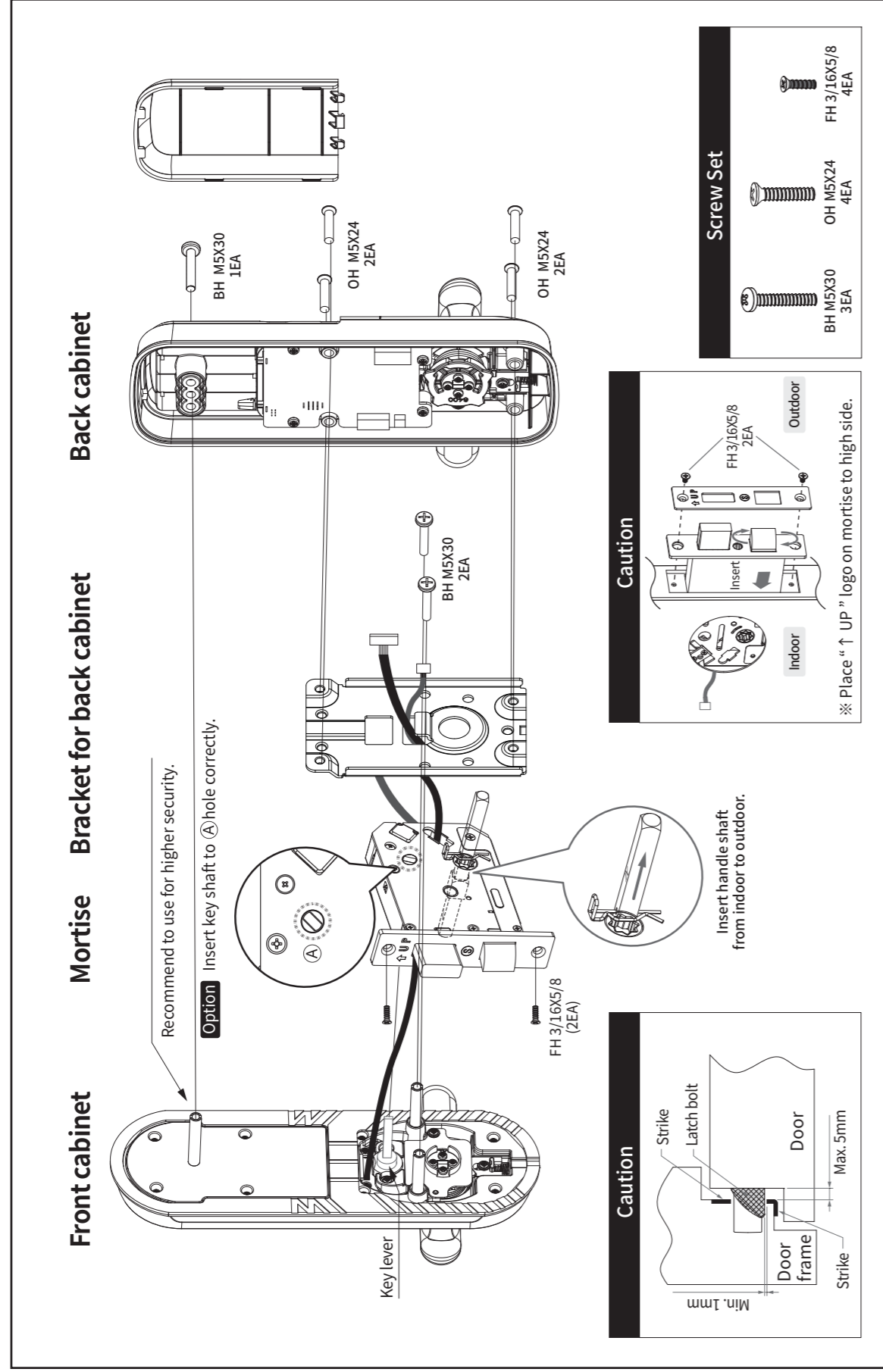
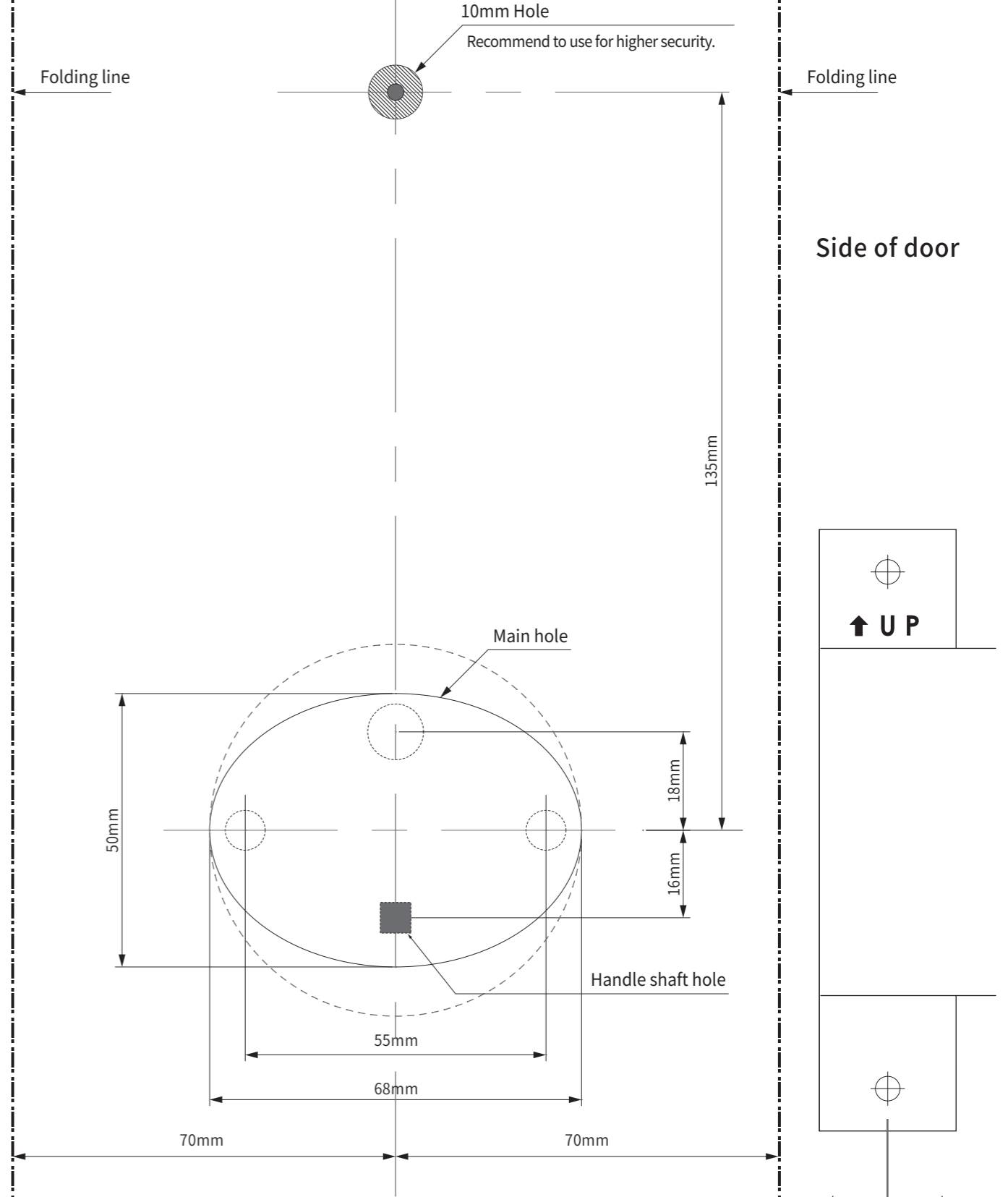


# Installation Exploded View



## Installation Template

LH/RH/LHR/RHR



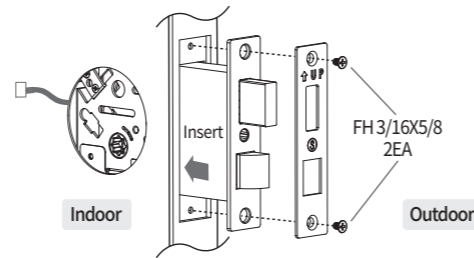
# How to install - 1(Mortise Lock)

## ⚠ Notice

- ➔ Installation method for left handed door and right handed door is same.
- ➔ Before installation, adjust the direction of latch bolt and striker as per door opening direction.

### ■ Install mortise

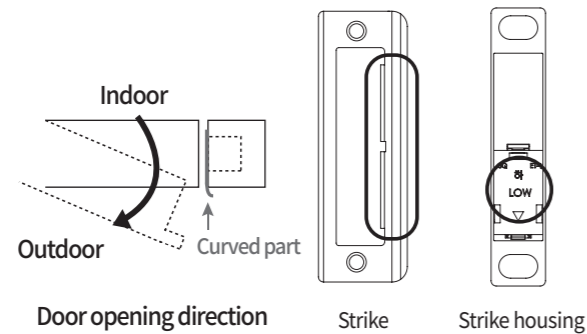
1. Insert mortise to side of door and pull out cable to indoor.
2. Rotate latch bolt.  
(Refer to instruction of " Change latch bolt direction ")
3. Fix the plate using FH 3/16X5/8, 2EA.  
※ Place " ↑ UP " logo on mortise to high side.



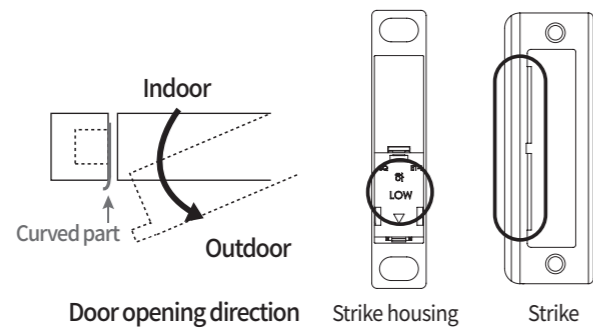
### ■ How to Install strike

1. Insert strike housing and set the curved part of strike to direction of door opening.
2. Fix it with screws FH 3/16X5/8, 2EA.

LH

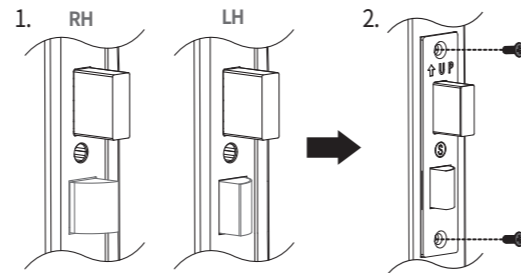


RH



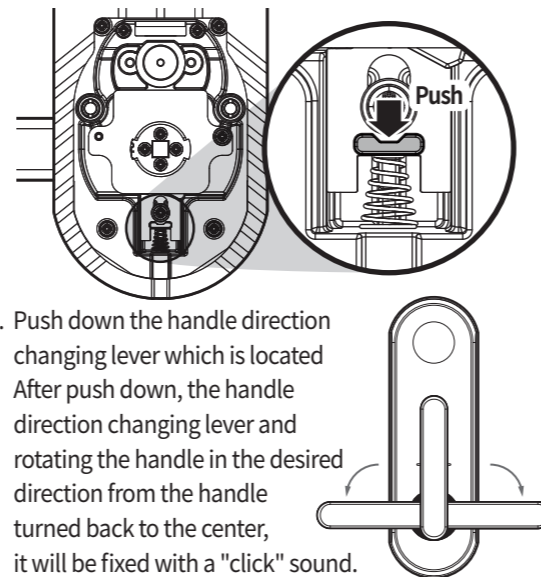
### ■ Change latch bolt direction

1. Rotate latch bolt.
2. Confirm the direction of latch bolt and fix the plate using FH 3/16X5/8, 2EA.



### ■ How to reset the direction of handle

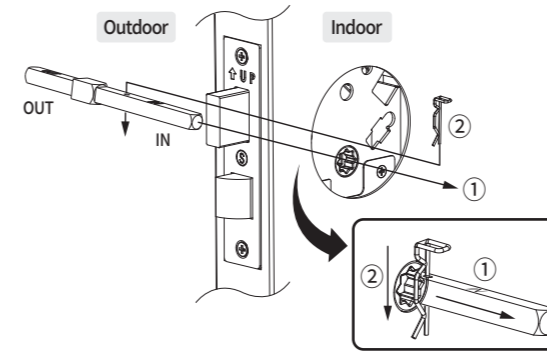
1. Push down the handle direction changing lever which is located inner side of each cabinet.



2. Push down the handle direction changing lever which is located After push down, the handle direction changing lever and rotating the handle in the desired direction from the handle turned back to the center, it will be fixed with a "click" sound.

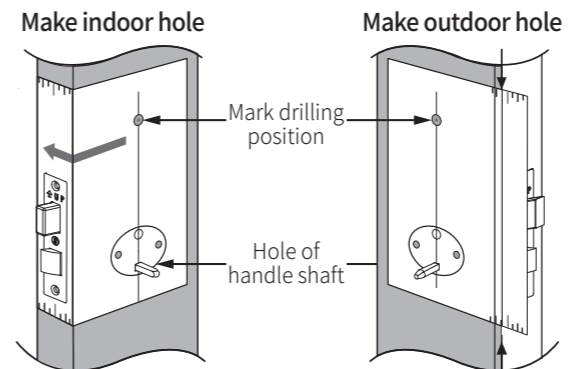
# How to install - 2(Product)

1. Insert handle shaft from outdoor to indoor and fix stop ring to the hole on indoor side of handle shaft.



2. Insert handle shaft to rectangular "Handle shaft hole" of installation template and stick the template to indoor side. Fold the template along the folding line.

3. Fix the exact position of template and mark the drilling position for hole making. Change direction of template and mark the drilling position on opposite side in same way.

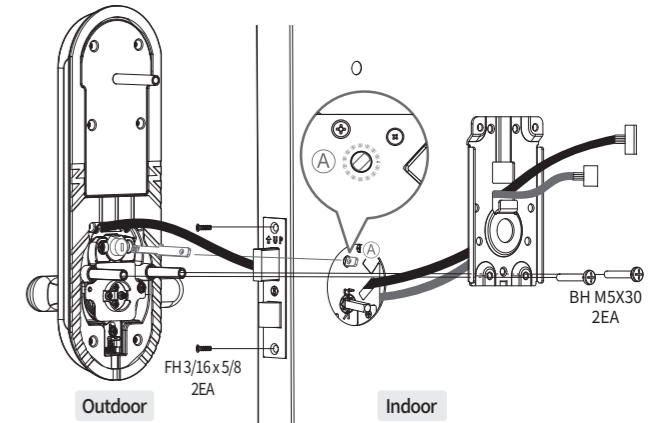


Folding by 90 degree and stick to door surface

Make sure that folding line is vertical

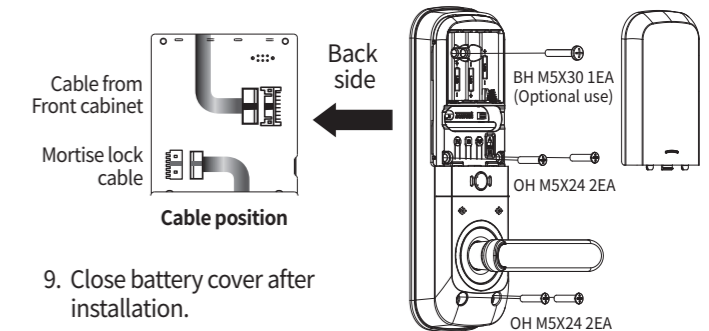
4. Make hole as per specification. (Ø10)  
(Recommend to use for higher security.)
5. Set the direction of handle on front cabinet, pull down the handle to aimed direction until it is fixed with click sound. (Refer to instruction of " How to reset the direction of handle ")
6. put the cable of front cabinet through the main hole to indoor.  
pull out the cable from front cabinet and mortise lock cable through the hole of back cover.

7. Confirm the cable is not jammed and fix the front & back cabinet by screws. (BH M5X30, 2EA)



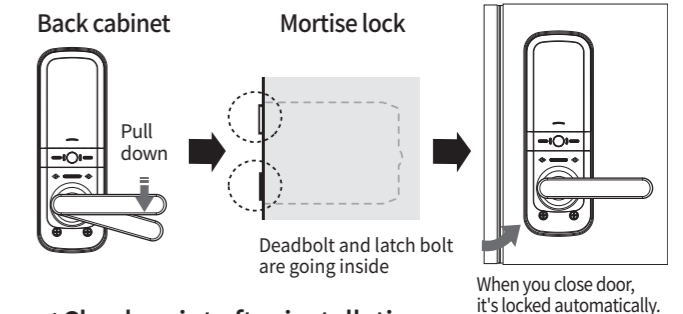
Notice) 1. Insert key shaft to (A) hole correctly.  
2. Door thickness 40-80mm

8. Connect two cable to back cabinet exactly.  
Open the deco cover of back cabinet and fix using screws. (Top OH M5X30, 1EA (Optional use) / Middle OH M5X24, 2EA / Bottom OH M5X24, 2EA.  
※ Set the direction of handle of back cabinet.



9. Close battery cover after installation.

### ☑ Check operation of product



### ☑ Check point after installation

- ☑ Insert batteries correctly and do open/close test at indoor
- ☑ Register secret code as per user manual
- ☑ Factory setting : Normal mode, Secret code "123456"