

# SCHLAGE



## S-510 TOUCHPAD DIGITAL DOOR LOCK WITH FINGERPRINT READER USER MANUAL

### Notice

Please read this manual before installation and operation.

## Safety precautions



### Do not disassemble or alter the lock.

Disassembling the door lock may damage the product. Damage to the product caused by unauthorised persons may void the warranty.



### Please keep the product away from water or any liquids.

If the product is exposed to water or liquids, please wipe the moisture off with a soft cloth. If moisture or foreign materials penetrate the product, remove the batteries immediately.



### Please check the batteries every 6 months for leaks/cleanliness.

If leakage is discovered, please wipe out with a dry cloth and replace with new batteries. In case of exposure to leakage, wash affected skin area with soap and water immediately.



### Do not clean the product with flammable materials such as alcohol, benzene or thinners.

Such materials may damage the surface of the lock or cause a fire.



### Batteries should not be exposed directly to heat sources or submerged in water, because they may leak or explode, resulting in severe damage.

Do not use damaged batteries.



### Do not allow the battery electrodes to make contact with metals such as keys, as the battery may overheat, causing an explosion or severe damage.



### Please do not close the door with the deadbolt in the locked position.

It may damage the product or cause a malfunction.



### Do not mix old and new batteries, or use different types of batteries.

Ensure the + and - ends of the batteries are positioned correctly. Incorrect positioning may cause leaks and/or an explosion.

## Product features



### Three way solution. (PIN code, Card / Fob, fingerprint)

Available to use PIN code as well as Card / Fob and fingerprint.



### Voice guide and 3 step volume control system

Voice guide (operation status, menu selection.) and provide 3 step volume control system.



### A ↔ M automatic / manual locking set function

Automatic and manual locking mode set is possible with simple switch operation from Inside.



### Auto relock function

If users do not open the door after unlocking the device it will lock itself automatically.



### Double lock function

When double lock function is activated, the door cannot be opened from the outside, even with the registered card, PIN code or fingerprint. Override key can still be used.



### Mute function

Door will not emit any sound when mute is activated.



### Battery level indicator and alarm for battery replacement

Easy to check battery status with three step level indicator and alarm when battery replacement is required.



### Trespass alarm function

When the door is opened by force an alarm will sound.



### Prevent trespass and hacking

After multiple incorrect attempted entries an alarm will sound and all the functions of the lock will be suspended for three minutes. The alarm activates after three incorrect PIN/card entries and five incorrect fingerprint entries.



### Random security coding

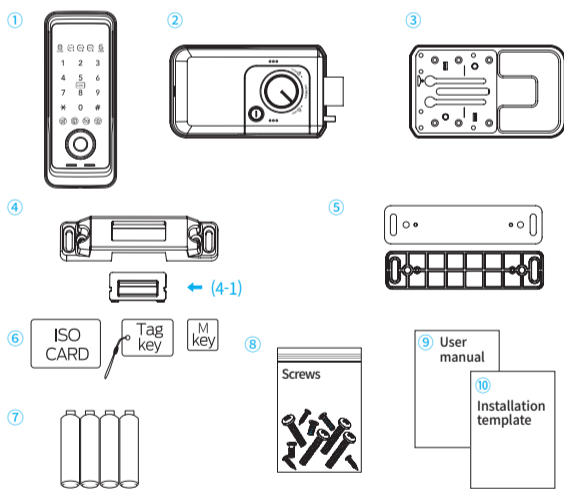
When you enter your home with other people, you may not want to show your PIN code to them. In this case, you may press any numbers randomly and then enter your PIN code at the end and you will still gain access.



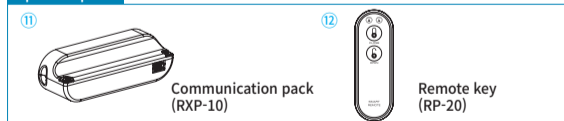
### Normal mode/safety mode

Normal mode is ideal for new users or low security environments. Safety mode provides a higher security level via use of a manager PIN code. Allows individual register and delete function which is not provided in normal mode.

## Product composition and components



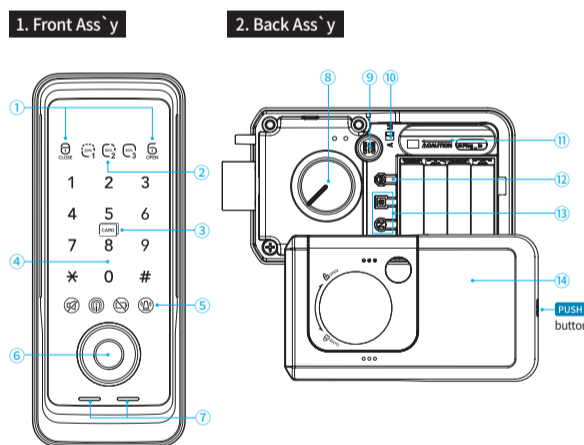
### Optional parts



Name	product specification	remark
1 Front Ass'y	74mm(W) x 184mm(H) X 20.7mm(D)	Including rubber pad
2 Back Ass'y	160mm(W) x 93mm(H) x 37mm(D)	
3 Back bracket	164mm(W) x 97mm(H) x 4.5mm(D)	
4 Strike	30.1mm(W) x 124mm(H) x 28mm(D)	
5 Strike housing	30mm(W) x 124mm(H) x 2mm(D) 1 EA 30mm(W) x 124mm(H) x 4.7mm(D) 3 EA	Using for height of strike
6 Card / Fob	ISO card, Tag key, Mobile tag key	
7 Battery	1.5V 'AA' Size LR6 4 Alkaline (DC 6V)	
8 Screws	1 EA	
9 User manual	Main user manual	
10 Installation template	Using for making hole at the door	
11 Communication pack	Communication pack	Optional
12 Remote key	Remote key	Optional
※ Installation condition	Door thickness 40~50mm	

(4-1) Dead bolt guider : should remove after finishing installation.

## Name and function of each part



Name	Description
1 Lock / Unlock lamp	Indicate lock/unlock status
2 Status indicator	Indicates operation status and checking battery capacity. 🔋 20% of Battery 🔋 50% of Battery 🔋 80% of Battery
3 Card / Fob touch plate	Touch the registered Card / Fob to unlock / register.
4 Touch type numeric pad	Touch type numeric pad.
5 Window icon	🔇 : Mute function 🚨 : Wireless interlock(Optional) 🔋 : Battery replacement indicator lamp 🚨 : Trespass alarm function
6 Fingerprint sensor	Touch the registered fingerprint on Sensor, and then open the door.
7 External power supply	When the battery is entirely exhausted, please contact 9V battery(6LF22) to emergency power terminal.
8 Thumb turn	Open or close manually with thumb turn.
9 [Open / Close] button	Open or Close door with one touch button.
10 Auto / Manual mode switch	A : Auto mode(It locks automatically when the door is closed) M : Manual mode(Does not lock automatically when the door is closed)
11 Connection terminal for communication pack	Connecting or removing terminal for communication pack.
12 Communication button	🔗 : To register or delete optional communication pack.
13 [N],[S] button	Registration/deletion of PIN code , Card / Fob, fingerprint in normal mode or safety mode.
14 Battery cover	Push up to open the battery cover.

## Description shortcut icons

[N] : [N] button	C : PIN code	🚨 : Trespass alarm
[S] : [S] button	[CARD] : Card / Fob	🔓 : Unlock
* : [*] button	🔋 : 9V alkaline battery(6LF22)	🔒 : Lock
# : [#] button	UC : User code	
👆 : Touch the front pad	MC : Manager code	
🗣️ : [Communication function] button	RC : Registration code	
	RANDOM CODE : Random code	

※ Normal mode : [N] button / Safety mode : [S] button

## How to apply external power in the emergency



## How to use random security coding function



## How to unlock / lock from outdoor

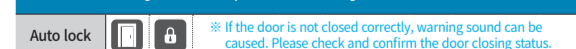
### How to unlock from outdoor



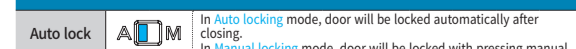
### How to unlock from outdoor (Mute function)



### How to lock [Auto lock / Manual lock] from out door



### How to set auto locking / manual locking



**Auto lock** A ↔ M In **Auto locking** mode, door will be locked automatically after closing.  
In **Manual locking** mode, door will be locked with pressing manual lock button after closing.  
**Manual lock** A ↔ M \* Please do the change/registration of new code at door opened status to prevent unintentional locking.

## Description shortcut icons

<b>N</b> : [N] button	<b>C</b> : PIN code	: Trespass alarm
<b>S</b> : [S] button	: Card / Fob	: Unlock
<b>*</b> : [*] button	: 9V alkaline battery(6LF22)	: Lock
<b>#</b> : [#] button	<b>UC</b> : User code	
: Touch the front pad	<b>MC</b> : Manager code	
: [Communication function] button	<b>RC</b> : Registration code	
	<b>RANDOM CODE</b> : Random code	

※ Normal mode : [N] button / Safety mode : [S] button

## How to replace battery

If battery lamp in RED is flickering with sound, separate battery cover, and replace all 4 battery to new one, 6V(1.5V "AA" size LR6 Alkaline)

## Additional function

How to control voice guide volume											
Min. volume											1
Mid. volume		#	C	or		#	1	2			
Max. volume											3
Guest PIN code (Temporary use)											
REG.		#	C	or		#	2	RC	#	RC	#
How to control operation volume											
Vol. up		#	C	or		#	3	7	*		
Vol. down		#	C	or		#	3	9	*		
Status checking guide											
Voice guide		#	C	or		#	4				
Check battery capacity											
Checking the battery		#	C	or		#	5				
Warning function against Illegal entry or hacking											
Operate	Wrong PIN code three times/unregistered card three times/unregistered fingerprint five times										
Warning alarm function against forced entry											
PIN code		*	C	*				Card / Fob			

## How to lock from indoor (Auto locking / Manual locking)

### 1. In auto locking mode

When the door is closed, door is locked with beep sound automatically.

### 2. In manual locking mode

After closing door, press [open/close] button, then door is locked with beep sound.

## How to open or close with Thumb turn from Inside (Manual)

Turn clockwise for unlocking

Turn counter-clockwise for locking

## How to open or close with [Open/Close] button from Inside (Auto)

Press [open/close] when locked and it will unlock.

Press [open/close] when unlocked and it will lock.

## How to set double locking function

### 1. [Double locking] Set up

While door is unlocked Press [open/close] button for 3 second.

### 2. [Double locking] Cancel

While double locking mode is on Press [open/close] button.

**Note**

- In double locking mode, from inside, you can release lock by use of thumb turn.
- Intrusion alarm function still activate while in double locking mode.
- Even in door is open, double locking mode can be activated. When volume is set to "mute", only the indicator of double locking mode is flickering with sound.

## Auto locking function / Auto relocking function

### 1. Auto locking function

When the door is closed, it will be locked automatically.

### 2. Auto relocking system

If the door is not opened within 7 seconds after input PIN code, it will be relocked automatically to protect user's property.

**Note**

- Auto relocking system is different from "auto locking". If the door is not opened within 7 seconds after input PIN code, it will be relocked automatically.

## How to change Normal mode / Safety mode

- Normal mode : ideal for new users or low security environments
- Safety mode : higher security level via use of a manager PIN code. Provides individual register and delete function

· PIN code: 10 entries (6-12 digits) / Card / Fob: 20 entries / Fingerprint : 50 entries

**N** : [N] button   **S** : [S] button   : Card / Fob   : Fingerprint

**UC** : User code   **MC** : Manager code   **RC** : Registration code

How to change from normal mode to safety mode											
	1	2	3	4	5	6	7	8	9	10	11
Safety mode		UC	#	MC	#	MC	#				
How to change from safety mode to normal mode											
Normal mode		MC	#	UC	#	UC	#				

## Normal mode

Normal mode											
	1	2	3	4	5	6	7	8	9	10	
REG.	PIN code	<b>N</b>	1	4	RC	*	...	*			
	Card / Fob	<b>N</b>	1	5		...		*			
	Fingerprint	<b>N</b>	1	6		*					
DEL.	All Card / Fob	<b>N</b>	2	5	*						
	All Fingerprint	<b>N</b>	2	6	*						

※ Repeat highlighted part of diagram above for continuous register or delete

## Safety mode

**Warning** : Please do not forget manager code. If you forget this number should contact to your local agency.

· PIN code: 10 entries (6-12 digits) / Card / Fob: 20 entries / Fingerprint : 50 entries

**N** : [N] button   **S** : [S] button   : Card / Fob   : Fingerprint

**UC** : User code   **MC** : Manager code   **RC** : Registration Code

Safety mode												
	1	2	3	4	5	6	7	8	9	10	11	12
REG.	PIN code	<b>S</b>	1	4	MC	or		#	RC	*	*	
	Card / Fob	<b>S</b>	1	5	MC	or		#	Card Registration Number(2digits)	#		*
	Fingerprint	<b>S</b>	1	6	MC	or		#	Fingerprint Registration Number(2 digits)		3 times	#
DEL.	All Card / Fob	<b>S</b>	2	5	MC	or		#				
	Individual Card / Fob	<b>S</b>	3	5	MC	or		#	Card Registration Number(2digits)	#	*	
	All Fingerprint	<b>S</b>	2	6	MC	or		#				
Individual Fingerprint	<b>S</b>	3	6	MC	or		#	Fingerprint Registration Number(2 digits)	#	*		
Safety mode (Manager)												
Change	Manager code	<b>S</b>	8	4	MC	or		#	RC	#	RC	#
REG.	Manager Card / Fob	<b>S</b>	8	5	MC	or		#		#	*	
DEL.	All manager Card / Fob	<b>S</b>	8	6	MC	or		#	5			

※ Repeat highlighted part for continuous register or delete

## Communication pack / Remote key [Optional]

### 1. How to install the communication pack

**Communication pack (RXP-10)**

**Remote key (RP-20)**

When purchasing wireless communication pack and remote key package separately and equipping it. Remote key may be used in conjunction.

※ 1 ea battery is equipped.  
※ To replace battery, open the back cover.

### Installing communication pack

**Caution**  
Please fit the socket in the correct orientation.

- Open the inner battery cover then remove the battery
- Install the communication pack on the connected terminal
- Insert batteries after confirming the direction of ⊖ and ⊕
- Sound is heard when mounted correctly

### 2. How to register remote key & to unlock / to lock

· Remote key : 5 EA

: [Communication function] button   : Remote unlock   : Remote lock

**C** : PIN code

To register / to delete remote key (Communication pack)											
REG.	Remote key		1	C	or		#		or		*
DEL.	All remote key		2	C	or		#				
How to lock/unlock by remote key											
Unlock											
Lock											

※ Repeat Highlighted part for continuous register or delete.

## How to select the language

English		3	C	or		#	1				
Chinese		3	C	or		#	2				

## About Allegion™

Allegion (NYSE:ALLE) is a global pioneer in safety and security, with leading brands like Briton®, CISA®, LCN®, Schlage® and Von Duprin®. Focusing on security around the door and adjacent areas, Allegion produces a range of solutions for homes, businesses, schools and other institutions. Allegion is a almost 130 countries.

\$2 billion company, with products sold in For more, visit [www.allegion.com](http://www.allegion.com)

Briton ■ Milre ■ LCN ■ SCHLAGE ■ VON DUPRIN