

S-7100 USER MANUAL

▲ Notice

Please read this manual before installation and operation.

⚠ Safety precautions



Do not disassemble or alter the lock. Disassembling the door lock may damage the product. Damages to the product caused by unauthorized persons may void the warranty.



If the product generates harmful gases and smoke. Please remove the batteries immediately from the product, if you do not take this step immediately, the product may suffer severe damage.



Please keep the product away from water or any liquids. If the product is exposed to water or liquids, please wipe the moisture off with a soft cloth. If moisture or foreign materials penetrate the product, remove the batteries immediately.



Please check the batteries every 6 months for leaks/cleanliness. If leakage is discovered, please wipe out with a dry cloth and replace with new batteries. In case of exposure to leakage, wash affected skin area with soap and water immediately.



Do not clean the product with flammable materials such as alcohol, benzene or thinners. Such materials may damage the surface of the lock or cause a fire.



Batteries should not be exposed directly to heat source or submerged in water, because they may leak or explode, resulting in severe damage. Do not use damaged batteries.



Do not allow the battery electrodes to contact metals such as keys, as the battery may overheat, causing explosion or severe damage.



Please do not close the door with the deadbolt in the locked position. It may damage the product or cause a malfunction.



Do not force to pull the front cover. It may damage the product or cause a malfunction.



Do not mix old and new batteries, or use different types of batteries. The battery life is getting shorter and it may cause leaks or explosion.



Please do not hang the heavy things or bag, etc on the handle. It is may damage the handle or cause a malfunction.

Product features



Four way solution
(Fingerprint, PIN code, Card key, Override key)



Free-direction mortise lock type
The product can be installed in a left or right handed configuration.



Normal mode/Safety mode
· Normal mode: easy to use for normal user.
· Safety mode: high security mode with manger function added, provides individual register and delete function which is not provided in normal mode.



High temperature warning
If a high temperature is detected that may cause a fire, the alarm will ping sound for safety reasons. (Working temperature : -15~55°C, Sensor working temperature(high) : 60°C±10°C)



Random security coding function
When you enter your home with other people, you may not want to show PIN code to them. In this case, you may press any numbers randomly without limitation and then enter your PIN code at the end.



Prevent mischief & hacking
After multiple incorrect attempted entries an alarm will sound and all the functions of the lock will be suspended for three minutes. The alarm activated after three incorrect PIN/card entries.



Trespass alarm function
When the door is opened by force an alarm will sound.



Auto relock function
If users do not open the door after unlocking the device it will lock itself automatically.

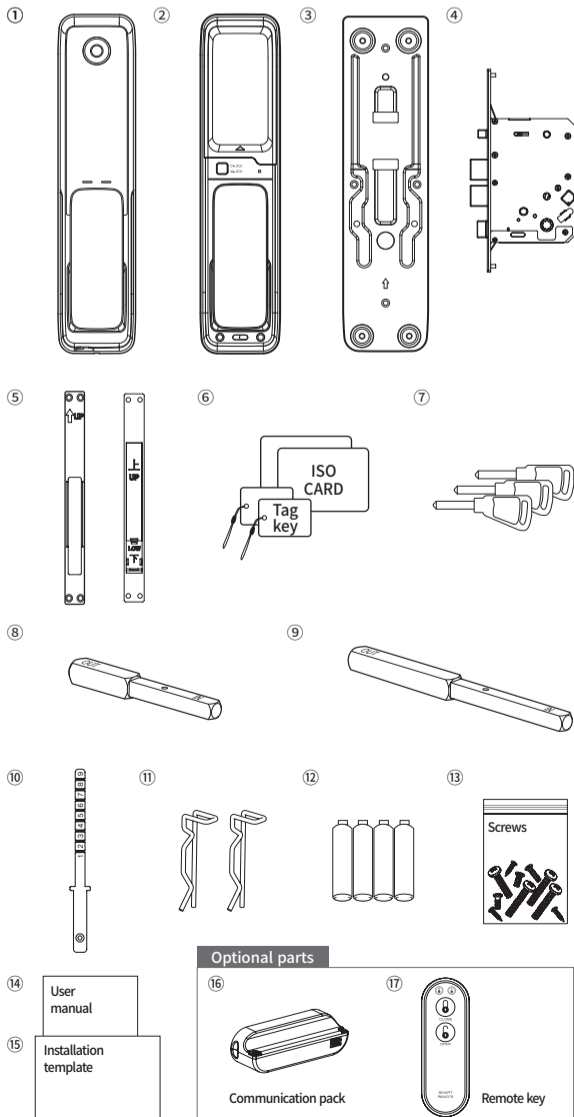


Double lock function
When double lock function is activated, the door cannot be opened from the outside, even with the registered card, PIN code or fingerprint. Override key can still be used.



One touch mute function
Door will not emit any sound when mute is activated.

Product composition and components

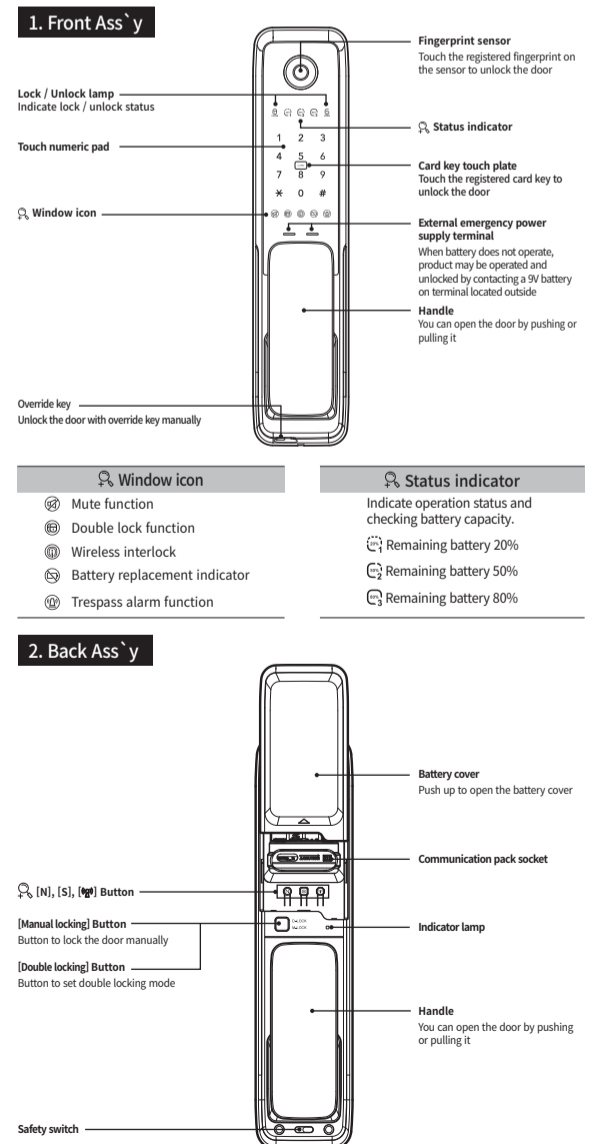


| Name | Product specification | Remark |
|--------------------------|---------------------------------------|-------------------------|
| ① Front Ass'y | 88mm(W) X 385mm(H) X 40mm(D) | Including rubber pad |
| ② Back Ass'y | 88mm(W) X 375mm(H) X 44mm(D) | |
| ③ Back bracket | 81mm(W) X 319mm(H) X 8.7mm(D) | |
| ④ Mortise lock | 105.4mm(W) X 240mm(H) X 24mm(D) | |
| ⑤ Strike | 24mm(W) X 240mm(H) X 4.5mm(D) | |
| ⑥ Card key | ISO card, Tag key | |
| ⑦ Mechanical key | 3 EA | |
| ⑧ Handle shaft | 70.5mm(W) X 8mm(H) X 8mm(D) | 40~50mm Door |
| ⑨ Handle shaft(M) | 101.7mm(W) X 8mm(H) X 8mm(D) | 70~90mm Door |
| ⑩ Key Shaft | 1 EA | |
| ⑪ Handle shaft stop-ring | 2 EA | |
| ⑫ Battery | 6V (1.5V 'AA' Size LR6 Alkaline, 4ea) | |
| ⑬ Screws | 1 set | |
| ⑭ User manual | English | Including warranty form |
| ⑮ Installation template | Using for making hole at the door | |
| ⑯ Communication pack | Communication pack | Optional |
| ⑰ Remote key | Remote key | Optional |
| ※ Installation condition | Door thickness 40~80mm | |

Factory setting

| Item | Setting Status | Ref.page |
|--------------------------------|-------------------|----------|
| Auto/Manual lock mode | [Auto lock] | 8 |
| Language (English/Chinese) | English | 5 |
| Normal mode / Security Mode | Normal mode | 9-10 |
| Voice guide volume (1~3 level) | 3 level [Maximum] | 7 |
| Beep sound level (1~8 level) | 8 level | 7 |
| Factory setting PIN code | 123456 | - |

Name and function of each part



Description shortcut icons

| | | |
|-----------------------------------|------------------------------|------------------------------|
| : [N] button | : PIN code | : Trespass alarm |
| : [S] button | : Card key | : Unlock |
| : [*] button | : 9V alkaline battery(6LF22) | : Lock |
| # button icon"/> : [#] button | : User code | : Fingerprint |
| : Touch the front pad | : Manager code | : Smartphone application |
| : [Communication function] button | : Registration new code | : Authentication code |
| | : Random code | : Open button on application |

※ Normal mode : [N] button / Safety mode : [S] button

How to replace batteries

If battery lamp is blinking RED and alarm sounds, open battery cover and replace all batteries, 6V(L5V "AA" size LR6 Alkaline)

Additional function

| How to control voice guide volume | | | | | | | | | | |
|---|--|--|---|----------|------|-------------|----|---|----|---|
| Min. volume | | | | | | | | | 1 | |
| Mid. volume | | # | C | CARD | # | 1 | | | 2 | |
| Max. volume | | | | | | | | | 3 | |
| Guest PIN code (Temporary use) | | | | | | | | | | |
| REG. | | # | C | CARD | # | 2 | RC | # | RC | # |
| How to control operation volume | | | | | | | | | | |
| Vol. up | | # | C | CARD | # | 3 | | | 9 | * |
| Vol. down | | # | C | CARD | # | 3 | | | 7 | * |
| Status checking guide | | | | | | | | | | |
| Voice guide | | # | C | CARD | # | 4 | | | | |
| Check battery capacity | | | | | | | | | | |
| Checking the battery | | # | C | CARD | # | 5 | | | | |
| Warning function against illegal entry or hacking | | | | | | | | | | |
| Operate | | Wrong PIN code three times / unregistered Card three times / unregistered Fingerprint five times | | | | | | | | |
| Warning alarm function against trespass by force | | | | | | | | | | |
| PIN code | | C | * | Card key | CARD | Fingerprint | | | | |

How to use random security coding function

| | | | | | |
|-------|--|--------------|---|---|--|
| Usage | | RAN DOM CODE | C | * | |
|-------|--|--------------|---|---|--|

How to apply external power in the emergency

| | | | | | | | | |
|----------|--|--|---|---|--|----------|------|--|
| PIN code | | | C | * | | Card key | CARD | |
|----------|--|--|---|---|--|----------|------|--|

How to unlock / lock from outside

| How to unlock from outside | | | | | | | | | |
|----------------------------|--|---|---|--|----------|------|-------------|--|--|
| PIN code | | C | * | | Card key | CARD | Fingerprint | | |

How to unlock from outside without disturbing others (Mute function)

| | | | | | | |
|----------|--|-------|-----|------|---|--|
| PIN code | | 3"Sec | OFF | C | * | |
| Card key | | 3"Sec | OFF | CARD | | |

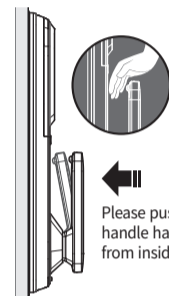
How to lock [Auto lock / Manual lock] from outside

| | | | | | | | | | |
|-------------|--|--|---|--|--|--|--|--|--|
| Auto lock | | | ※ If the door is not closed correctly, warning sound will go off. Please check and confirm the door closing status. | | | | | | |
| Manual lock | | | 0 | | | | | | |

How to set auto lock / manual lock

| | | | | | | | | | |
|-------------|--|---|---|------|---|---|---|--|--|
| Auto lock | | # | C | CARD | # | 8 | 5 | | |
| Manual lock | | # | C | CARD | # | 8 | 6 | | |

How to lock from inside



Caution
In push handle type, please do not put your finger between handle and door lock body. Finger can be jammed or hurt when you try to open the door.

Please push or pull the handle hard enough from inside.

Auto lock function / Auto relocking system

1. Auto lock function

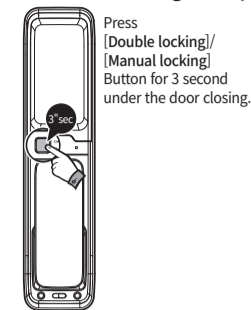
When the door is closed, it will be locked automatically.

2. Auto relocking system

If the door is not opened within 7 seconds after input PIN code or Card key it will be relocked automatically to protect user's property.

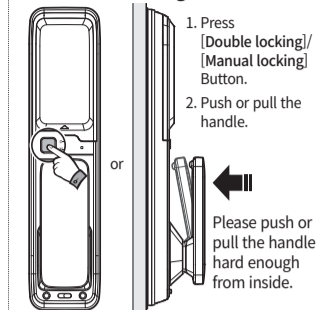
How to set double locking function

1. [Double locking] Set up



Press [Double locking]/[Manual locking] Button for 3 second under the door closing.

2. [Double locking] Cancel



1. Press [Double locking]/[Manual locking] Button.
2. Push or pull the handle.

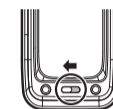
Please push or pull the handle hard enough from inside.

Note

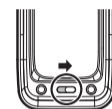
- Please confirm that the door is properly closed. Double locking is available when the door is closed.
- Even in [Double locking] mode, it is available to open the door from inside by push or pull down the handle.
- Push or pull down the handle from the inside will automatically turn off Double locking mode.
- If the sound is set to mute only indicating lamp is blinking.

How to use [Safety switch]

Operation of the handle inside is restricted for preventing outside intrusion.



The safety handle is activated. (Red)



The safety handle is deactivated. (green)

How to change Normal mode / Safety mode

- Normal mode : ideal for new users or low security environments
- Safety mode : higher security level via use of a manager PIN code. Provides individual registration and deletion function

: [N] button : [S] button : Card key : Fingerprint
 : User code : Manager code : Registration new code

| How to change from normal mode to safety mode | | | | | | | | | | |
|---|---|----|---|----|---|----|---|---|---|----|
| | 1 | 2 | 3 | 4 | 5 | 6 | 7 | 8 | 9 | 10 |
| Safety mode | | UC | # | MC | # | MC | # | | | |
| How to change from safety mode to normal mode | | | | | | | | | | |
| Normal mode | | MC | # | UC | # | UC | # | | | |

Normal mode

• PIN code: 10 EA (6-12 digits) / Card key: 50 EA / Fingerprint : 100 EA

| Normal mode | | | | | | | | | | |
|-------------|-----------------|---|---|---|------|---------|------|---|---|----|
| | 1 | 2 | 3 | 4 | 5 | 6 | 7 | 8 | 9 | 10 |
| REG. | PIN code | | 1 | 4 | RC | * | ... | * | | |
| | Card key | | 1 | 5 | CARD | ... | CARD | * | | |
| | Fingerprint | | 1 | 6 | | 3 times | ... | * | | |
| DEL. | All Card key | | 2 | 5 | | | | | | |
| | All Fingerprint | | 2 | 6 | | | | | | |

※ Repeat highlighted part of diagram above for continuous register.

※ Keep the door open while you register PIN code / Card keys to prevent yourself from accidentally getting locked out.

Safety mode

Warning : Please do not forget manager PIN code.

If you forget this number, please contact to your local agency.

Keep the door open while you register PIN code / Card keys to prevent yourself from accidentally getting locked out.

• PIN code: 10 EA (6-12 digits) / Card key: 50 EA / Fingerprint : 100 EA

| Safety mode | | | | | | | | | | | | | |
|-----------------------|------------------------|---|---|---|----|----|------|---|---|----|------|---------|---|
| | 1 | 2 | 3 | 4 | 5 | 6 | 7 | 8 | 9 | 10 | 11 | 12 | |
| REG. | PIN code | | 1 | 4 | MC | or | CARD | # | RC | * | * | | |
| | Card key | | 1 | 5 | MC | or | CARD | # | Card Registration Number(2digits) | # | CARD | * | |
| | Fingerprint | | 1 | 6 | MC | or | CARD | # | Fingerprint Registration Number(3 digits) | # | | 3 times | * |
| DEL. | All Card key | | 2 | 5 | MC | or | CARD | # | | | | | |
| | Individual Card key | | 3 | 5 | MC | or | CARD | # | Card Registration Number(2digits) | # | * | | |
| | All Fingerprint | | 2 | 6 | MC | or | CARD | # | | | | | |
| | Individual Fingerprint | | 3 | 6 | MC | or | CARD | # | Fingerprint Registration Number(3 digits) | # | * | | |
| Safety mode (Manager) | | | | | | | | | | | | | |
| Change | Manager code | | 8 | 4 | MC | or | CARD | # | RC | # | RC | # | |
| REG. | Manager Card key | | 8 | 5 | MC | or | CARD | # | CARD | # | * | | |
| DEL. | All manager Card key | | 8 | 6 | MC | or | CARD | # | 5 | | | | |

※ Repeat highlighted part for continuous register or delete.

Mobile access Set-up and use

: [Communication function] button : PIN code
 : Smartphone application : Authentication code
 : Open button on application

| Smartphone | | | | | | | | | |
|-----------------|--|---|---|---|---|------|------|---|--|
| REG. | | 1 | C | # | | XXXX | # | | |
| ALL DEL. | | 2 | C | # | | | | | |
| Send family key | | | | | | | | | |
| Send | | # | C | # | 6 | | XXXX | # | |

※ Please follow detailed instructions given on the smartphone application for highlighted parts.

How to unlock with mobile key (using smartphone)

| Open in safe mode | | | | | | | | | |
|-------------------|--|--|--|--|---|--|--|--|--|
| Safe mode | | | | | ※ Click open button on smartphone application to unlock the door | | | | |

How to set up smartphone to use mobile key

1. Download Schlage Access application on your smartphone from the app store.
2. Register and log into the app.
3. Follow instructions from the app installation guide to register the door lock.
4. When you unlock the door lock using the app for the first time, press open button on the app, followed by 1 on door lock's numeric pad to check connection.

Caution

Check if you can't unlock due to disconnection between smartphone and door lock

- Make sure smartphone power is "on".
- Make sure you're logged into the app, and it's active.
- Make sure your smartphone's Bluetooth function is on.

※ If you activate or deactivate the app and/or Bluetooth function, the app disconnects from the lock and deactivates the mobile key.

If you wish to reuse the mobile key, turn on the app and the Bluetooth function, press open button on the app, followed by 1 on door lock's numeric pad to reconnect and activate the mobile key.

※ You must keep the app "on" and Bluetooth "on" at all times to use the mobile key without reconnection.

Installing communication / Mobile Access pack



Caution
Please fit the socket in the correct location.

1. Open the battery cover then remove all batteries.
2. Insert the communication pack into the slot.
3. Insert batteries after confirming the direction of and .
4. It will sound when the device is installed correctly.

